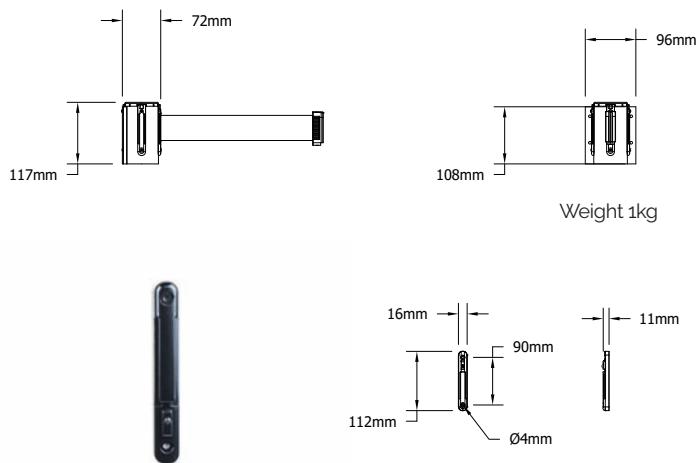
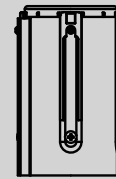


896 Heavy Duty Wall Mounted Unit

Perfect for limiting access to areas without taking up floor space. Features 2.3m or 3.65m of retractable webbing. Ideal for a variety of applications.



Features & Benefits

- The heavy duty wall unit features a Tensabarrier® cassette which is encased in a steel body, providing added strength and protection to the components inside.
- The unit can be easily installed onto a variety of surfaces to suit different applications.
- Safest barrier on the market- our cassettes have a unique braking system for slower webbing retraction.

Product Specification

- Steel body available in a variety of powder coated finishes, polished chrome or stainless steel.
- Two mounting options available depending on the application: standard and glass mount.
- A variety of tape end options are available: standard anti-tamper, rubber, panic break, magnetic, one way loop, and wire clip.
- Modular webbing cassette – all cassettes come as standard with our four-point anti-tamper webbing connectivity. This allows you to connect other Tensabarrier® products to the receiver splines on the wall unit head.
- Available with any Tensator® standard (50mm) webbing options.
- Tools only required for mounting the unit to desired surface. Screws are not included as this is dependent on wall type.
- Each unit comes with corresponding wall receiver clip which allows the wall unit webbing to connect to - made from Zinc for its anti-corrosive properties.

Order Code

- 896-STD – Heavy Duty Wall Mounted Unit 2.3m
- 896-STD- 1P – Heavy Duty Wall Mounted Unit 2.3m in Polished Chrome
- 896-STD-3B – Heavy Duty Wall Mounted Unit 2.3m in Brushed Stainless Steel
- 896-MAX – Heavy Duty Wall Mounted Unit 3.65m
- 896-MAX- 1P – Heavy Duty Wall Mounted Unit 3.65m in Polished Chrome
- 896-MAX-3B – Heavy Duty Wall Mounted Unit 3.65m in Brushed Stainless Steel

Applications

- Eliminate unsafe working conditions by clearly defining routes.
- Restrict access to dangerous areas.
- Limit pedestrian access to out of service areas.
- Use to identify hazards before they cause harm.
- Ideal for a variety of applications.

Product Configuration

Fixing Options



Standard & glass fixings available

Unit Finishes



Variety of finishes available

Webbing Options



Standard Webbing

50mm width

Webbing Lengths



Two lengths available

Webbing Designs



Full range of colours, designs and custom options

Tape End Options



Six options available

MILTON KEYNES
+44 1908 684 600

NEW YORK
+1-800-441-0019

DUBAI
+971 4 2997 228

PARIS
+33 1 43 09 85 00

FRANKFURT
+49 69 3003 89 010

WROCLAW
+48 71 359 3800